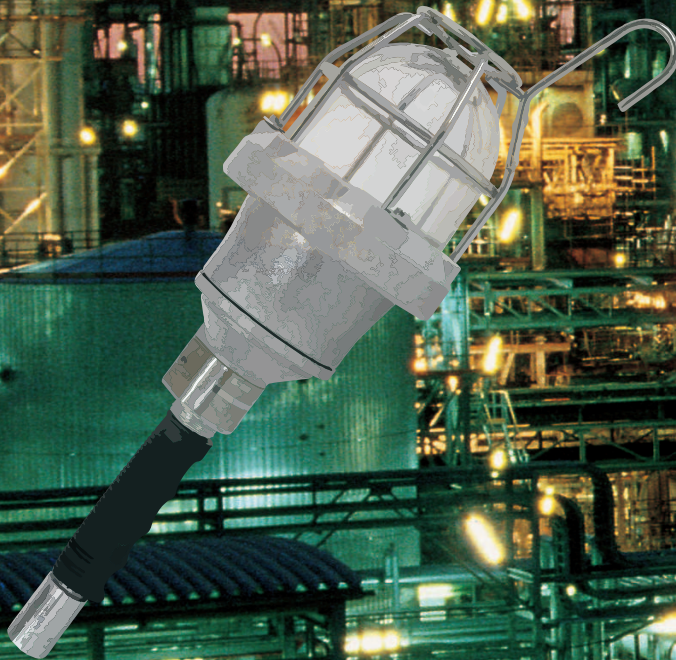
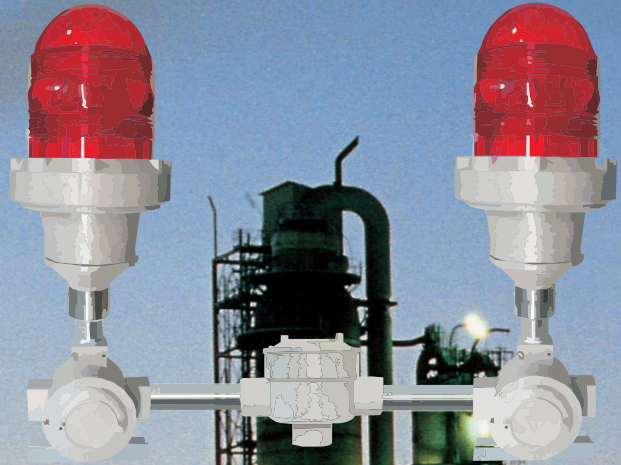


CO.SIME.

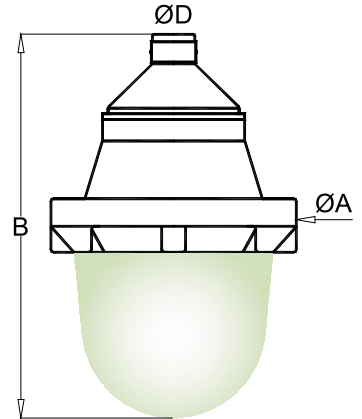
EQUIPMENT FOR ATEX





GAS	II2G Ex d IIC T5 ÷ T2	IP 66	Zone 1 - Zone 21 - Zone 2 - Zone 22
DUST	II2D Ex tD A21 T95°C ÷ T295°C	IP 66	❄️-20°C ÷ ☀️+40°C ❄️-20°C ÷ ☀️+80°C

Materiale :	corpo : lega leggera trasparente : vetro borosilicato portalampane : ceramico
Installazione :	varie (vedi dettagli)
Viteria :	Acciaio inox AISI 304
Guarnizioni :	+40°C EPDM , +60°C Silicone
Collegamento :	Morsettiera portalampane
Ingresso :	N° 1 ø3/4" (EVA 80+250) - ø1" (EVA 400)
Peso :	1,5 + 6,5 kg
Material :	body : light alloy transparent : borosilicate glass lamp holder : ceramic
Installation :	various (see details)
Hardware :	Stainless steel AISI 304
Gaskets :	+40°C EPDM , +60°C Silicon
Connection :	on lamp holder
Cable entry :	N° 1 ø3/4" (EVA 80+250) - ø1" (EVA 400)
Weight :	1,5 + 6,5 kg



Potenza :	Vedi tabella
Tensione :	230V a richiesta altre tensioni
Frequenza :	50Hz + 60Hz
Morsettiera :	2,5mm ²
Power :	See table
Voltage :	230V other voltages on request
Frequency :	50Hz + 60Hz
Terminals :	2,5mm ²

Codice / Code	ØA	B	ØC	ØD	max [W]	[kg]
EVA 50	128	222	218	3/4"	100	1,5
EVA 80	146	264	280	3/4"	150	2,2
EVA 125	174	294	300	3/4"	200	4,5
EVA 250	196	375	336	3/4"	300	5,0
EVA 400	259	416	450	1"	500	6,5

Codice Code	Potenza Power	Attacco Cap	Temp class @+40°C	Temp class @+60°C	Temp class @+80°C	Peso Weight
Incandescenza - alogene - led - fluorescenti / Incandescent - halogen - led - fluorescent						
EV.. 50	75 W - 100 W	E27	T5-T4	T4-T4	T4-T3	
EV.. 80	150 W	E27	T4	T4	T3	
EV.. 125	200 W	E27	T4	T3	T3	
EV.. 250	300 W	E40	T3	T3	T3	
EV.. 400	500 W	E40	T3	T3	T2	
Vapori di mercurio / Mercury vapour						
EW.. 80RHg	80 W	E27	T4	T4	-	
EW.. 125RHg	125 W	E27	T4	T4	-	
EW.. 250RHg	250 W	E40	T3	T3	-	
EW.. 400RHg	400 W	E40	T3	T3	-	
Ioduri metallici / Metal halide						
EW.. 100RMH	100 W	E27	T3	T4	-	
EW.. 150RMH	150 W	E27	T3	T3	-	
EW.. 250RMH	250 W (2,15A)	E40	T3	T3	-	
EW.. 400RMH	400 W (3,25A)	E40	T3	T3	-	
Sodio alta pressione / high pressure sodium						
EW.. 70RNa	70 W	E27	T3	T4	-	
EW.. 150RNa	150 W	E27	T3	T3	-	
EW.. 250RNa	250 W	E40	T3	T3	-	
EW.. 400RNa	400 W	E40	T3	T3	-	

	GAS	II2G Ex d IIC T5 ÷ T2	IP 66	Zone 1 - Zone 21 - Zone 2 - Zone 22	
	DUST	II2D Ex tD A21 T95°C ÷ T295°C	IP 66	❄️-20°C ÷ ☀️+40°C	❄️-20°C ÷ ☀️+60°C



Codice Code	[Vac]	Codice Code	[Vac/dc]	Colore Color	Funzione Function	EVA EVA	Lamp led Led tower	[W]	[kg]
EV ..TL0..FA110230 EV ..TL0..FB110230 EV ..TL0..FG110230 EV ..TL0..FR110230 EV ..TL0..FV110230	110+230	EV ..TL0..FA12-24 EV ..TL0..FB12-24 EV ..TL0..FG12-24 EV ..TL0..FR12-24 EV ..TL0..FV12-24	12-24-48	blu- blue bianco - white giallo - yellow rosso - red verde - green	luce fissa steady light	EVA 50 EVA 80 EVA 80 EVA 80 EVA 125	60 led 80 led 100 led 120 led 180 led	5+6 6+7 7+8 8+9 12+15	
EV ..TL0..LA110230 EV ..TL0..LB110230 EV ..TL0..LG110230 EV ..TL0..LR110230 EV ..TL0..LV110230	110+230	EV ..TL0..LA12-24 EV ..TL0..LB12-24 EV ..TL0..LG12-24 EV ..TL0..LR12-24 EV ..TL0..LV12-24	12-24-48	blu- blue bianco - white giallo - yellow rosso - red verde - green	luce lamp. flashing light	EVA 50 EVA 80 EVA 80 EVA 80 EVA 125	60 led 80 led 100 led 120 led 180 led	5+6 6+7 7+8 8+9 12+15	
EV ..TL0..RA110230 EV ..TL0..RB110230 EV ..TL0..RG110230 EV ..TL0..RR110230 EV ..TL0..RV110230	110+230	EV ..TL0..RA12-24 EV ..TL0..RB12-24 EV ..TL0..RG12-24 EV ..TL0..RR12-24 EV ..TL0..RV12-24	12-24-48	blu- blue bianco - white giallo - yellow rosso - red verde - green	luce rotante rotating light	EVA 50 EVA 80 EVA 80 EVA 80 EVA 125	60 led 80 led 100 led 120 led 180 led	5+6 6+7 7+8 8+9 12+15	

esempio : EV 80TL100RG24 : lampada tower led a N° 100 led 24Vac/dc luce gialla rotante
sample : EV 80TL100RG24 : tower led lamp with N° 100 led 24Vac/dc rotating yellow light



Codice Code	[Vac]	Codice Code	[Vac/dc]	Xenon Xenon	Colore Color	Funzione Function	EVA EVA	[W]	[kg]
EV 50LAX110÷230 EV 50LBX110÷230 EV 50LGX110÷230 EV 50LRX110÷230 EV 50LVX110-230	110-230	EV 50LAX12-24 EV 50LBX12-24 EV 50LGX12-24 EV 50LRX12-24 EV 50LVX12-24	12-24-48	6 JOULE	blu- blue giallo - yellow rosso - red verde - green	luce lamp. flashing light	EVA 50	10	
EV 125L16AX110÷230 EV 125L16BX110÷230 EV 125L16GX110÷230 EV 125L16RX110÷230 EV 125L16VX110÷230	110-230	EV 125L16AX12-24 EV 125L16BX12-24 EV 125L16GX12-24 EV 125L16RX12-24 EV 125L16VX12-24	12-24-48	16 JOULE	blu- blue giallo - yellow rosso - red verde - green	luce lamp. flashing light	EVA 125	20	
EV 125L20AX110÷230 EV 125L20BX110÷230 EV 125L20GX110÷230 EV 125L20RX110÷230 EV 125L20VX110÷230	110-230	EV 125L20AX12-24 EV 125L20BX12-24 EV 125L20GX12-24 EV 125L20RX12-24 EV 125L20VX12-24	12-24-48	20 JOULE	blu- blue giallo - yellow rosso - red verde - green	luce lamp. flashing light	EVA 125	30	

esempio : EV 50LRX230 : lampada flash 6 joule luce rossa 230Vac
sample : EV 50LRX230 : flash lamp 6 joule red light 230Vac



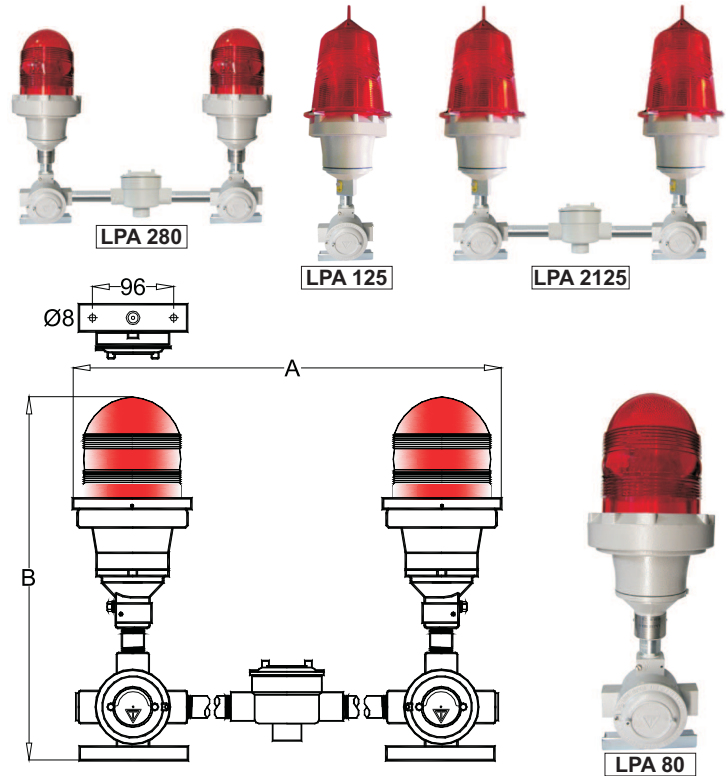
GAS	II2G Ex d IIC T5 ÷ T4	IP 66	Zone 1 - Zone 21 - Zone 2 - Zone 22
DUST	II2D Ex tD A21 T95°C ÷ T130°C	IP 66	❄️ -20°C ÷ ☀️ +40°C ❄️ -20°C ÷ ☀️ +80°C

Materiale : corpo : lega leggera
trasparente : vetro borosilicato
globo fresnel in policarbonato (norme ICAO)
portalampane : ceramico

Installazione : varie (vedi dettagli)
Viteria : Acciaio inox AISI 304 - Staffe in acciaio zincato
Guarnizioni : +40°C EPDM , +60°C Silicone
Morsettiera : 4 mm²
Potenza : Vedi tabella
Ingresso : N° 1 ø3/4"

Material : body : light alloy
transparent : borosilicate glass
lamp holder : ceramic
Fresnel polycarbonate globe (ICAO standard)
various (see details)

Installation : various (see details)
Hardware : Stainless steel AISI 304 - Galvanized steel lugs
Gaskets : +40°C EPDM , +60°C Silicon
Terminals : 4 mm²
Power : See table
Cable entry : N° 1 ø3/4"



Codice / Code	EVA	ØA	B	[kg]
LPA 80	1 x EVA 50	128	430	3,0
LPA 280	2 x EVA 50	540	430	6,5
LPA 125	1 x EVA 125	174	560	5,5
LPA 2125	2 x EVA 125	590	560	12,0

	Codice Code	[Vac]	Codice Code	[Vac/dc]	Colore Color	Funzione Function	EVA EVA	Lamp led Led tower	[W]
	EV ..TL0..FA110230	110+230 50+60Hz	EV ..TL0..FA12-24	12-24-48	blu - blue	luce fissa steady light	EVA 50	60 led	5+6
	EV ..TL0..FB110230		EV ..TL0..FB12-24		bianco - white		EVA 125	80 led	6+7
	EV ..TL0..FG110230		EV ..TL0..FG12-24		giallo - yellow		EVA 125	100 led	7+8
EV ..TL0..FR110230	EV ..TL0..FR12-24		rosso - red		EVA 125		120 led	8+9	
EV ..TL0..FV110230	EV ..TL0..FV12-24		verde - green		EVA 125		180 led	12+15	
EV ..TL0..LA110230	110+230 50+60Hz	EV ..TL0..LA12-24	12-24-48	blu - blue	luce lamp. flashing light	EVA 50	60 led	5+6	
EV ..TL0..LB110230		EV ..TL0..LB12-24		bianco - white		EVA 125	80 led	6+7	
EV ..TL0..LG110230		EV ..TL0..LG12-24		giallo - yellow		EVA 125	100 led	7+8	
EV ..TL0..LR110230		EV ..TL0..LR12-24		rosso - red		EVA 125	120 led	8+9	
EV ..TL0..LV110230		EV ..TL0..LV12-24		verde - green		EVA 125	180 led	12+15	
EV ..TL0..RA110230	110+230 50+60Hz	EV ..TL0..RA12-24	12-24-48	blu - blue	luce rotante rotating light	EVA 50	60 led	5+6	
EV ..TL0..RB110230		EV ..TL0..RB12-24		bianco - white		EVA 125	80 led	6+7	
EV ..TL0..RG110230		EV ..TL0..RG12-24		giallo - yellow		EVA 125	100 led	7+8	
EV ..TL0..RR110230		EV ..TL0..RR12-24		rosso - red		EVA 125	120 led	8+9	
EV ..TL0..RV110230		EV ..TL0..RV12-24		verde - green		EVA 125	180 led	12+15	

	Codice Code	[Vac]	Codice Code	[Vac/dc]	Xenon Xenon	Colore Color	Funzione Function	EVA EVA	[W]
	EV 50LAX110+230	110-230 50+60Hz	EV 50LAX12-24	12-24-48	6 JOULE	blu - blue giallo - yellow rosso - red verde - green	luce lamp. flashing light	EVA 50	10
	EV 50LBX110+230		EV 50LBX12-24						
	EV 50LGX110+230		EV 50LGX12-24						
EV 50LRX110+230	EV 50LRX12-24								
EV 50LVX110-230	EV 50LVX12-24								
EV 125L16AX110+230	110-230 50+60Hz	EV 125L16AX12-24	12-24-48	16 JOULE	blu - blue giallo - yellow rosso - red verde - green	luce lamp. flashing light	EVA 125	20	
EV 125L16BX110+230		EV 125L16BX12-24							
EV 125L16GX110+230		EV 125L16GX12-24							
EV 125L16RX110+230		EV 125L16RX12-24							
EV 125L16VX110+230		EV 125L16VX12-24							
EV 125L20AX110+230	110-230 50+60Hz	EV 125L20AX12-24	12-24-48	20 JOULE	blu - blue giallo - yellow rosso - red verde - green	luce lamp. flashing light	EVA 125	30	
EV 125L20BX110+230		EV 125L20BX12-24							
EV 125L20GX110+230		EV 125L20GX12-24							
EV 125L20RX110+230		EV 125L20RX12-24							
EV 125L20VX110+230		EV 125L20VX12-24							

esempio : EV 80TL100RG24 : lampada tower led a N° 100 led 24Vac/dc luce gialla rotante
sample : EV 80TL100RG24 : tower led lamp with N° 100 led 24Vac/dc rotating yellow light



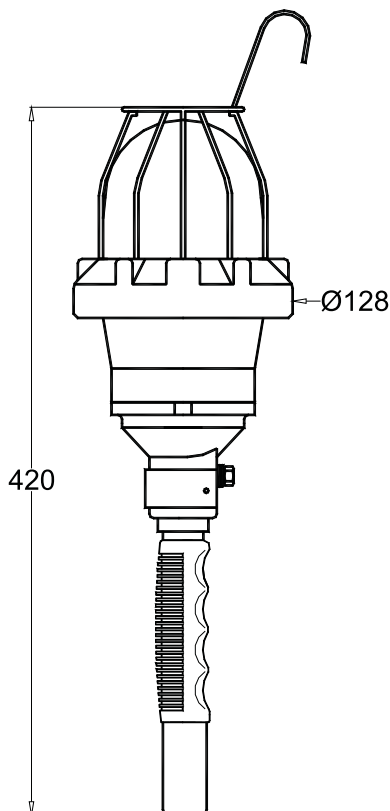
GAS	II2G Ex d IIC T5 ÷ T3
DUST	II2D Ex tD A21 T95°C ÷ T130°C

IP 66
IP 66

Zone 1 - Zone 21 - Zone 2 - Zone 22
❄️ -20°C ÷ ☀️ +40°C ❄️ -20°C ÷ ☀️ +60°C

Materiale :	corpo : lega leggera trasparente : vetro borosilicato portalampane : ceramico E27 gabbia : acciaio zincato gabbia : a richiesta Acciaio inox AISI 304
Viteria :	Acciaio inox AISI 304
Guarnizioni :	+40°C EPDM , +60°C Silicone
Impugnatura :	Gomma EPDM
Collegamento :	Morsettiera sul ortalampane
Ingresso :	N° 1 ø3/4"
Peso :	max 2 kg
Material :	<i>body : light alloy transparent : borosilicate glass lamp holder : E27 ceramic guard : galvanized steel guard : on demand Stainless steel AISI 304</i>
Gaskets :	<i>+40°C EPDM , +60°C Silicon</i>
Hand grip :	<i>EPDM rubber</i>
Connection :	<i>terminals on lamp holder</i>
Cable entry :	<i>N° 1 ø3/4"</i>
Weight :	<i>max 2 kg</i>

Potenza :	max 100W
Tensione :	230V a richiesta altre tensioni
Frequenza :	50Hz ÷ 60Hz
Morsettiera :	2,5mm ²
Power :	<i>max 100W</i>
Voltage :	<i>230V other voltages on request</i>
Frequency :	<i>50Hz ÷ 60Hz</i>
Terminals :	<i>2,5mm²</i>



Codice Code	Potenza Power	Attacco Cap	Temp class @+40°C	Temp class @+60°C	Temp class @+80°C	Peso Weight
Incandescenza - alogene - led - fluorescenti / Incandescent - halogen - led- fluorescent						
EVP 50	max 75 W	E27	T4	T4	T3	1,8
EVP 50	max 100 W	E27	T5	T4	N.A.	2,0
EVP 50ML	max 30W	E27 multi led	T5	T4	N.A.	1,9

